

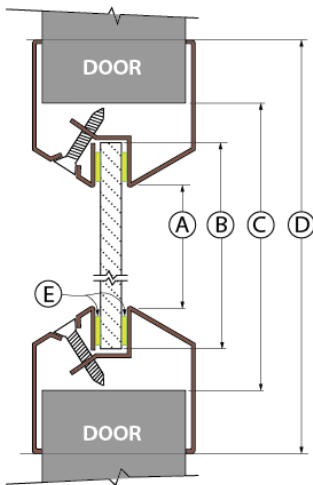
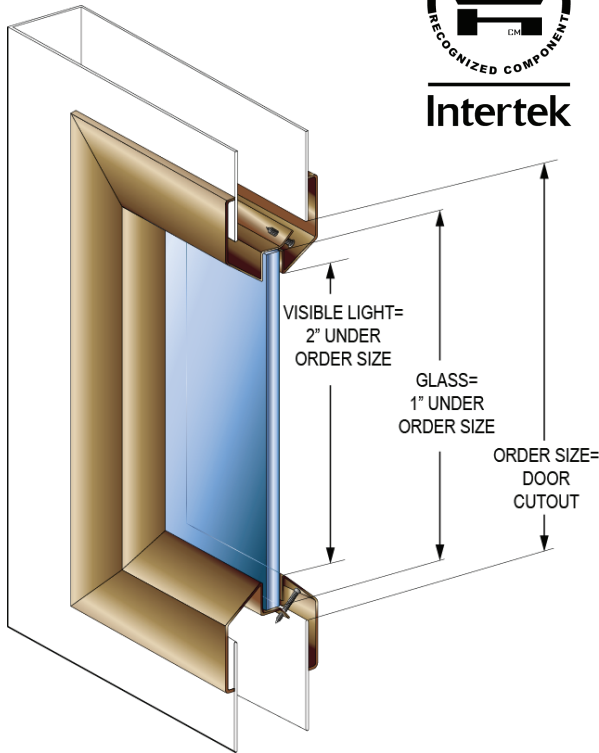
# LITES List Prices ...

## VL SERIES, VISION LITE STANDARD PROFILE

**IN STOCK  
FOR IMMEDIATE SHIPPING**



**Intertek**



- (A) VISIBLE LIGHT = 2" UNDER ORDER SIZE
- (B) GLASS = 1" UNDER ORDER SIZE
- (C) ORDER SIZE = DOOR CUTOUT
- (D) 1-3/8" OVER ORDER SIZE
- (E) GLAZING TAPE

**OTHER FINISHES  
AVAILABLE WITH  
FACTORY LEAD TIME**

- ▶ 20-180 Minute Fire-Rated Steel Vision Lites for 3/16" to 1/4" Glass
- ▶ Standard Profile Vision Lite for Fire Rated Doors
- ▶ Frame has Single-Sided Fasteners
- ▶ 20 Gauge Cold Rolled Steel
- ▶ Designed for use with 1 3/4" Doors Only
- ▶ Baked on Powder Coat Finish
- ▶ Color: **Standard Bronze and Prime Coat (in selected sizes only)**
- ▶ For other finishes, see color chart on page 15 of the catalog page.
- ▶ Fasteners: # 8 x 7/8" Flathead Phillips Head SMS

ITEM #	SIZE (DOOR CUTOUT)Width x Height	PCS / CTN
VL520	5" x 20"	6
VL535	5" x 35"	6
VL624	6" x 24"	6
VL626	6" x 26"	6
*VL627	6" x 27"	6
VL630	6" x 30"	6
VL636	6" x 36"	6
VL672	6" x 72"	1
*VL722	7" x 22"	6
VL818	8" x 18"	6
VL830	8" x 30"	6
*VL832	8" x 32"	6
VL836	8" x 36"	6
VL1010	10" x 10"	10
*VL1212	12" x 12"	10
VL1414	14" x 14"	10
*VL1818	18" x 18"	2
VL1830	18" x 30"	2
VL2020	20" x 20"	4
VL2030	20" x 30"	2
*VL2424	24" x 24"	4
*VL2430	24" x 30"	4
*VL2432	24" x 32"	4
VL2434	24" x 34"	2
VL2436	24" x 36"	2
VL2456	24" x 56"	1
*VL2460	24" x 60"	1
*VL2464	24" x 64"	1
VL2472	24" x 72"	1
VL2474	24" x 74"	1

**PRICES DO NOT INCLUDE GLASS**

**Shaded Items are Non-Fire Rated.**

\*Available in Prime Coat finish. Suffix "-PR" after part number when ordering.  
Example: To order VL1212 in Prime Coat finish, use **VL1212-PR**.

See Lites & Louvers Intertek Certification for information on Fire Ratings.  
Or visit: <http://www.cal-royal.com/pdf/litescertification.pdf>

See page LL3 for list of custom sizes. See page LL6 for list of LITE KITS (frame, glass & glazing tape combination)



## STANDARD & CUSTOM SIZES LITES SVL & VL SERIES

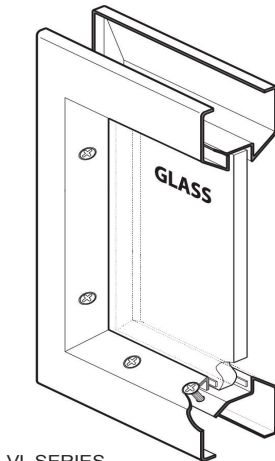
- ◆ Low and Standard Profile Vision Lites for Fire Rated Doors
- ◆ 20 Gauge Cold Rolled Steel
- ◆ For  $\frac{3}{16}$ " to  $\frac{1}{4}$ " Thick Glass
- ◆ Designed for use with 1  $\frac{3}{4}$ " doors only
- ◆ Frame has Single-Sided Fasteners
- ◆ Fasteners: # 8 x  $\frac{7}{8}$ " Flat Head Phillips SMS
- ◆ Baked on Powder Coat finish
- ◆ Color: Standard Bronze and Prime Coat (in selected sizes only)
- ◆ For other finishes, see color chart on page 15 of the catalog page.
- ◆ 20-180 Minute Fire-Rated Steel Vision Lites

**OTHER FINISHES  
AVAILABLE WITH  
FACTORY LEAD TIME**

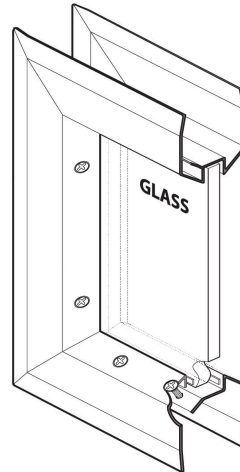
**Custom Sizes Width: 5" to 36"**

**Custom Sizes Height: 4" to 74"**

ORDER FORMAT: (Series type - SVL or VL) (cut out width) (cut out height); Example: SVL1832



VL SERIES



SVL SERIES

- All non-stock items are made in the USA with fast lead times.
- All other sizes are available with minimum order requirement and lead time.
- For odd numbered dimension cut outs: Use next larger even size.
- For sizes more than the maximum width and height (36 x 74), call or email customer service.
- Does not include Glass and Glazing Tape.
- Visible light is 2" under the order cut out size.

Galvanneal Sheet for Exterior Applications; Prefix "G"; List x 1.2

**\*Available in Prime Coat finish. Suffix "-PR" when ordering. Example: SVL1212-PR**