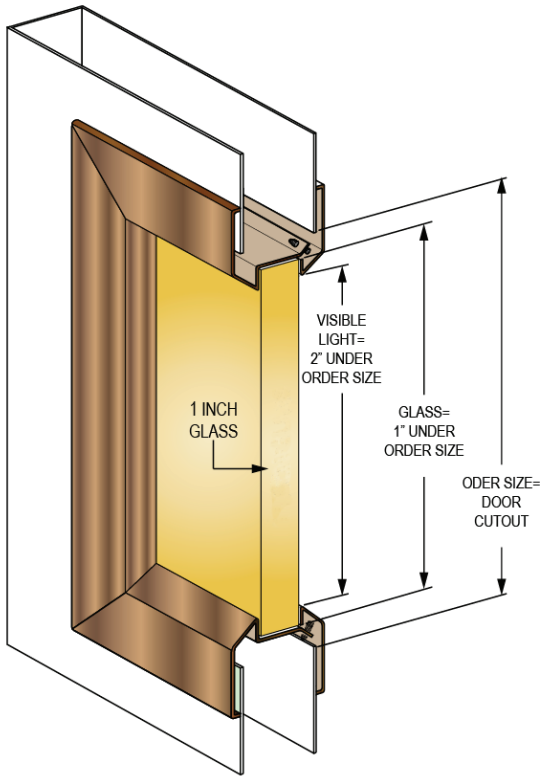


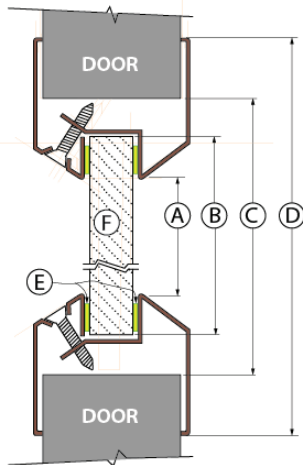
LITES ...

10VL SERIES, VISION LITE STANDARD PROFILE FOR 1" THICK GLASS

**IN STOCK
FOR IMMEDIATE SHIPPING**



- ▶ 20-180 Minute Fire-Rated Steel Vision Lites for 1" Glass
- ▶ Standard Profile Vision Lite for Fire Rated Doors
- ▶ Frame has Single-Sided Fasteners
- ▶ 20 Gauge Cold Rolled Steel
- ▶ Designed for use with 1 3/4" Doors Only
- ▶ Baked on Powder Coat Finish
- ▶ Color: **Standard Bronze**
- ▶ For other finishes, see color chart on page 15 of the catalog page.
- ▶ Fasteners: # 8 x 7/8" Flathead Phillips Head SMS



- (A) VISIBLE LIGHT = 2" UNDER ORDER SIZE
- (B) GLASS = 1" UNDER ORDER SIZE
- (C) ORDER SIZE = DOOR CUTOUT
- (D) 1-3/8" OVER ORDER SIZE
- (E) GLAZING TAPE
- (F) GLASS 1" THICK

10VL, Beveled Vision Lite for 1" Thick Glass		
ITEM #	SIZE (DOOR CUTOUT) Width x Height	PCS / CTN
10VL627	6" x 27"	6
10VL722	7" x 22"	6
10VL832	8" x 32"	6
10VL1212	12" x 12"	10
10VL2424	24" x 24"	4
10VL2430	24" x 30"	4
10VL2432	24" x 32"	4
10VL2436	24" x 36"	2
10VL2456	24" x 56"	1
10VL2460	24" x 60"	1
10VL2464	24" x 64"	1

PRICES DO NOT INCLUDE GLASS

Shaded Items are Non-Fire Rated.

See Lites & Louvers Intertek Certification for detailed information on Fire Ratings. Or visit: <http://www.cal-royal.com/pdf/litescertification.pdf>

See page LL5 for list of custom sizes.

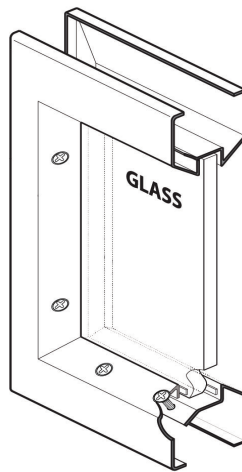
**OTHER FINISHES
AVAILABLE WITH
FACTORY LEAD TIME**



STANDARD & CUSTOM SIZES LITES 10VL SERIES

- ◆ Standard Profile Vision Lites for Fire Rated Doors
- ◆ 20 Gauge Cold Rolled Steel
- ◆ For 1" Thick Glass
- ◆ Frame has Single-Sided fasteners
- ◆ Fasteners: # 8 x 7/8" Flat Head Phillips SMS
- ◆ Designed for use with 1 3/4" doors only
- ◆ Baked on Powder Coat finish
- ◆ Color: **Standard Bronze**
- ◆ For other finishes, **see color chart on page 15 of the catalog page.**
- ◆ 20-180 Minute Fire-Rated Steel Vision Lites

**OTHER FINISHES
AVAILABLE WITH
FACTORY LEAD TIME**



Custom Sizes Width: 5" to 36"

Custom Sizes Height: 4" to 74"

ORDER FORMAT: 10VL x (cut out width) x (cut out height); Example: **10VL1832**

- All non-stock items are made in the USA with fast lead times.
- All other sizes are available with minimum order requirement and lead time.
- For odd numbered dimension cut outs: Use next larger even size.
- For sizes more than the maximum width and height (36 x 74), call or email customer service.
- Does not include Glass and Glazing Tape.
- Visible light is 2" under the order cut out size.