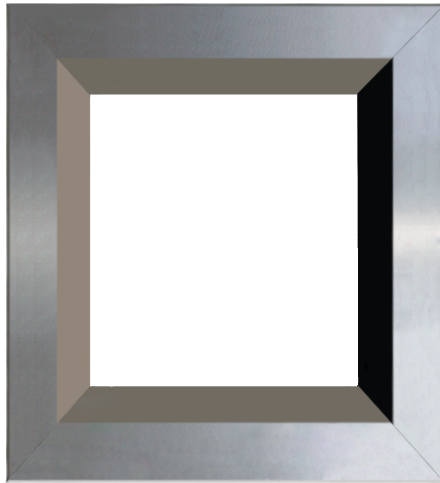




**STEEL DOOR & FRAME SYSTEMS, INC.**

**Vision Lite Standard Profile  
45/180 Minute Fire Rated  
VL Series**



For use in Fire Rated door applications under positive and neutral pressure. Intertek testing certification in compliance to NFPA 252 (2008), UL 10C (2009), CAN/ULC 104 (2010), NFPA 252(2012) and CSI Code 0870 00 Hardware SPECIFICATIONS:

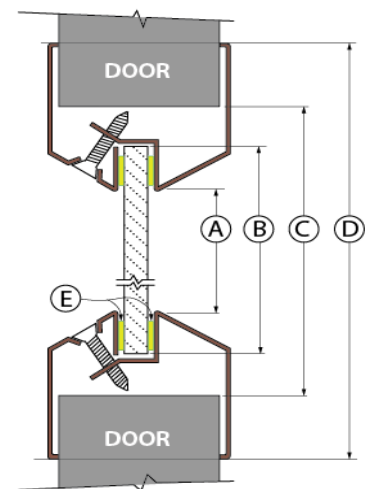
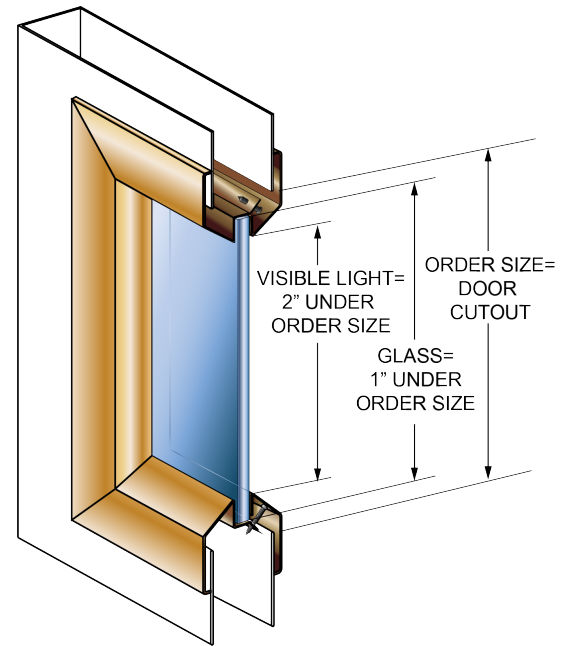
- Standard Profile Beveled Vision Lite
- 20 Gauge Cold Rolled Steel
- Mitered welded corners with counter sunk mounting holes
- Single side attaching with matching mounting screws included
- For use with 3/16" to 1/4" glass thickness
- Designed for use with 1-3/4" doors only
- Baked on powder coat finish
- Color: Standard Bronze & Prime Grey (Selected Sizes),  
-See Color Chart for Custom Colors,AMS Beige, White, Sand, Silver, Black, SC Beige and Brass (Consult Factory for lead time).
- Fastener: #8 x 7/8" flathead phillips head SMS

**OPTIONS**

- Also available as a kit or bundle which comes with the Frame, Glass and Glazing Kit
- Available glass types are 1/4" Tempered (TEMP), 1/4" Superlite I-W Wired Glass (WS) and 3/16" Pyran® Platinum F Glass (PPF).

**NOTES**

- Order size is equal to opening size
- Visible vision opening is 2" under order size
- Glass size dimension is 1" under complete order size
- Follow all door manufacturer's instructions for use and installation of all products.
- Refer to Product No. Guide for list of fire rated sizes



- Ⓐ VISIBLE LIGHT = 2" UNDER ORDER SIZE
- Ⓑ GLASS = 1" UNDER ORDER SIZE
- Ⓒ ORDER SIZE = DOOR CUTOUT
- Ⓓ 1-3/8" OVER ORDER SIZE
- Ⓔ GLAZING TAPE