

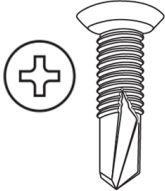
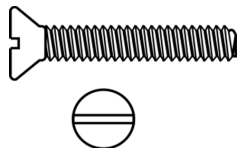
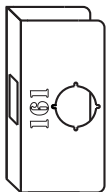
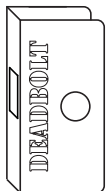




DKS ACCESSORIES LIST

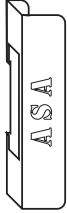
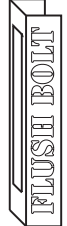
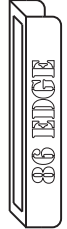
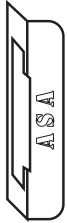
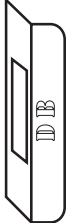

ILLUSTRATION	ITEM#	DESCRIPTION	MASTER QTY	UNIT
	ST-615	#6 TEK 1/2" Self-Tapping Screw Length: 1/2" Head: Phillips, Oval head Type: Self-Drilling, Self-Tapping Finish: US26D	100	per hundred
	MS-832	3/32" Machine Screw Length: 8-32 Thread Head: Phillips, Undercut – Flat head Type: Machine screw Finish: US26D	100	per hundred
	ST-MS1224	12-24 Screw Length: 12-24 Thread Head: Phillips, Undercut – Flat head Finish: US26D	100	per hundred
	MS2FH	Machine Screw 2" Flat Head Length: 2", 1/4" Thread Head: Flat head Type: Machine screw Finish: US26D	100	per hundred

MISCELLANEOUS

	DORT-161	161 Door Template Create a quick and precise 2 1/8" bore and latch prep using this template	1	EACH
	DORT-DB	Door Deadbolt Template Create a quick and precise 1 1/2" bore and latch prep using this template	1	EACH


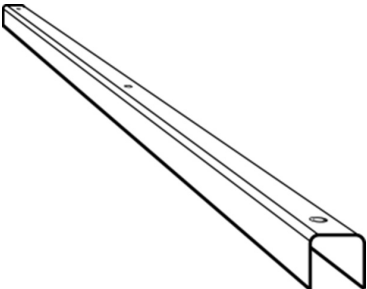
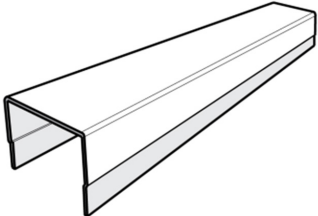




DKS ACCESSORIES LIST

ILLUSTRATION	ITEM#	DESCRIPTION	MASTER QTY	UNIT
	DORT-ASA	Door ASA Template Create a quick and precise 4 3/8" ASA cut-out on a door using this template	1	EACH
	DORT-FBLT	Door Flush Bolt Template Create a quick and precise 1" x 6 3/4" flush bolt cut-out on an inactive door using this template	1	EACH
	DORT-86	86 Edge Template Create a quick and precise 8" Mortise lock cut-out on a door using this template	1	EACH
	FRMT-ASA	Frame ASA Template Create a quick and precise ASA cut-out on a frame using this template	1	EACH
	FRMT-DB	Frame Deadbolt Template Create a quick and precise deadbolt cut-out on a frame using this template	1	EACH
	FRMT-FBLT	Frame Flush Bolt Template Used to make accurate flush bolt cut-outs on a frame	1	EACH

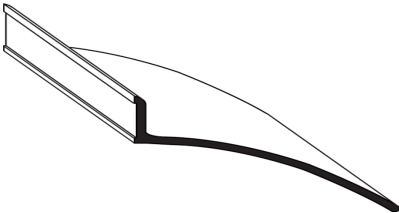
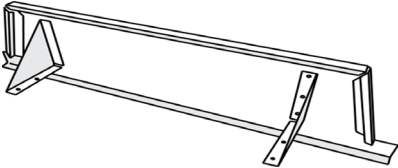
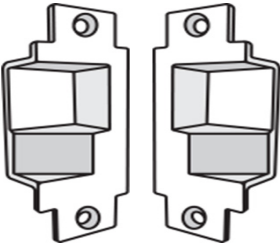
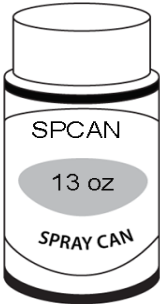



DKS ACCESSORIES LIST

ILLUSTRATION	ITEM#	DESCRIPTION	MASTER QTY	UNIT
	HT412	Hinge Template 4 1/2" Create a quick and precise 4 1/2" hinge cut-out on a frame using this template	1	EACH
	GS-22	Glass Stop Holes drilled at 7" centers Dimensions: 5/8" x 5/8" x 10' Packed with TEK screws Finish: Zinc Plated	15	EACH
	DREXT-18	Door Extender Thickness: 16 Ga. Finish: Mill Aluminum Dimensions: 1 3/4" W x 1 3/8" H x 36" L	10	EACH
	DREXT-710	Dimensions: 1 3/4" W x 1 3/8" H x 94" L	5	EACH
	SB36	Spreader Bar Thickness: 16 Ga. Dimensions: 3/4" W x 3/4" H x 36" L		EACH
	SB48	Dimensions: 3/4" W x 3/4" H x 48" L	1	EACH
	SB72	Dimensions: 3/4" W x 3/4" H x 72" L		EACH
	DSM21-DKS	Door Silencer Dimensions: 1/2" Dia. x 1 1/16" Length Use: for Metal Frames	200 per bag	per hundred



DKS ACCESSORIES LIST

ILLUSTRATION	ITEM#	DESCRIPTION	MASTER QTY	UNIT
	CR44640	Door Frame Drip Cap Length: 40" Thickness: 18 Ga. Finish: Mill Aluminum	50	EACH
	DDS-21	Dutch Door Shelf Finish: Mill Aluminum	50	EACH
	OBSTRK-LH-DKS (left hand) OBSTRK-RH-DKS (right hand)	Handed Open Back Strike Finish: US32D	1	EACH
	SPCAN-13	Spray Can Touch up For use with metal surfaces 2 in 1 Paint (Primer Only) Quick Drying Color: Gray Container Type: Aerosol can 400ml (13.5 oz)	12	EACH
	POLYP-2	Polyester Putty Ideal for steel, aluminum, galvanized and other zinc coated metals and a variety of substrates. Includes Hardener 2Kg (4.4lbs., 70.5 oz.)	1	EACH