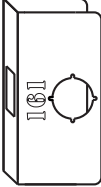
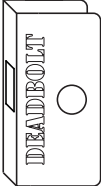
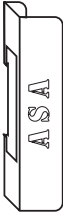

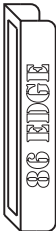
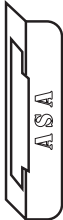


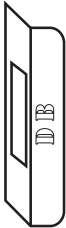


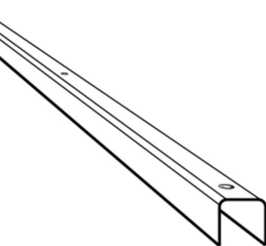
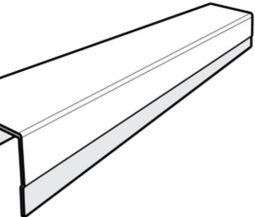


DKS ACCESSORIES

ILLUSTRATION	ITEM#	DESCRIPTION	MASTER QTY
MISCELLANEOUS			
	DORT-161	161 Door Template Create a quick and precise 2 1/8" bore and latch prep using this template	1
	DORT-DB	Door Deadbolt Template Create a quick and precise 1 1/2" bore and latch prep using this template	1
	DORT-ASA	Door ASA Template Create a quick and precise 4 7/8" ASA cut-out on a door using this template	1
	DORT-FBLT	Door Flush Bolt Template Create a quick and precise 1" x 6 3/4" flush bolt cut-out on an inactive door using this template	1
	DORT-86	86 Edge Template Create a quick and precise 8" Mortise lock cut-out on a door using this template	1
	FRMT-ASA	Frame ASA Template Create a quick and precise ASA cut-out on a frame using this template	1



DKS ACCESSORIES

ILLUSTRATION	ITEM#	DESCRIPTION	MASTER QTY
	FRMT-DB	Frame Deadbolt Template Create a quick and precise deadbolt cut-out on a frame using this template	1
	FRMT-FBLT	Frame Flush Bolt Template Used to make accurate flush bolt cut-outs on a frame	1
	HT412	Hinge Template 4 1/2" Create a quick and precise 4 1/2" hinge cut-out on a frame using this template	1
	GS-22	Glass Stop Holes drilled at 7" centers Dimensions: 5/8" x 5/8" x 10' Packed with TEK screws Finish: Zinc Plated	15
	DREXT-18	Door Extender Thickness: 16 Ga. Finish: Mill Aluminum Dimensions: 1 3/4" W x 1 3/8" H x 36" L	10
	DREXT-710	Dimensions: 1 3/4" W x 1 3/8" H x 94" L	5

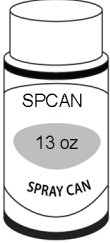
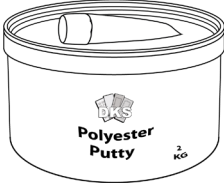


DKS ACCESSORIES

ILLUSTRATION	ITEM#	DESCRIPTION	MASTER QTY
		Spreader Bar Thickness: 16 Ga.	
	SB36	Dimensions: 3/4" W x 3/4" H x 36" L	
	SB48	Dimensions: 3/4" W x 3/4" H x 48" L	1
	SB72	Dimensions: 3/4" W x 3/4" H x 72" L	
	DSM21-DKS	Door Silencer Dimensions: 1/2" Dia. x 1 1/16" Length Use: for Metal Frames	200 per bag
	CR44640	Door Frame Drip Cap Length: 40" Thickness: 18 Ga. Finish: Mill Aluminum	50
	DDS-21	Dutch Door Shelf Finish: Mill Aluminum	50
	OBSTRK-LH-DKS (left hand)	Handed Open Back Strike Finish: US32D	1
	OBSTRK-RH-DKS (right hand)		



DKS ACCESSORIES

ILLUSTRATION	ITEM#	DESCRIPTION	MASTER QTY
	SPCAN-13	Prime Coat Spray Can TOUCH-UP Primer For use with metal surfaces 2 in 1 Paint & Primer Color: Gray Quick Drying Container Type: Aerosol can 400ml (13.5 oz)	1
	POLYP-2	Polyester Putty Ideal for steel, aluminum, galvanized and other zinc coated metals and a variety of substrates. Includes Hardener 2Kg (4.4lbs., 70.5 oz.)	1