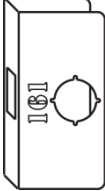








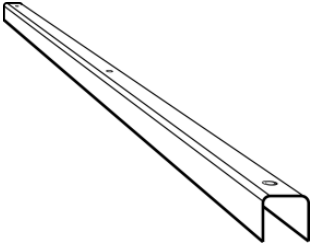
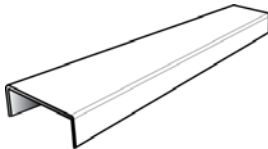
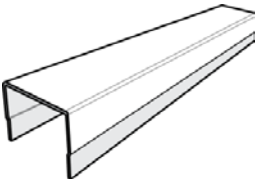




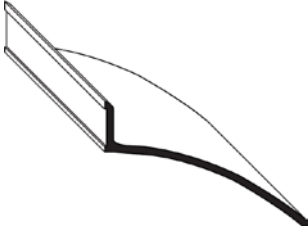
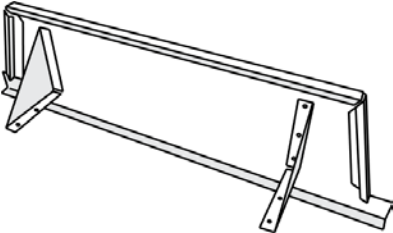
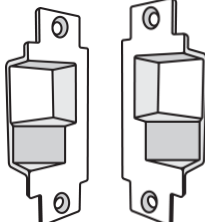

# DKS ACCESSORIES

ILLUSTRATION	ITEM #	DESCRIPTION
<b>MISCELLANEOUS</b>		
	<b>DORT-161</b>	161 Door Template Create a quick and precise 2 1/2" bore and latch prep using this template
	<b>DORT-DB</b>	Door Deadbolt Template Create a quick and precise 1 1/2" bore and latch prep using this template
	<b>DORT-ASA</b>	Door ASA Template Create a quick and precise 4 7/8" ASA cut-out on a door using this template
	<b>DORT-FBLT</b>	Door Flush Bolt Template Create a quick and precise 1" x 6 3/4" flush bolt cut-out on an inactive door using this template
	<b>DORT-86</b>	86 Edge Template Create a quick and precise 8" mortise lock cut-out on a door using this template
	<b>FRMT-ASA</b>	Frame ASA Template Create a quick and precise ASA cut-out on a frame using this template

# DKS ACCESSORIES

ILLUSTRATION	ITEM #	DESCRIPTION
	FRMT-DB	Frame Deadbolt Template Create a quick and precise deadbolt cut-out on a frame using this template
	FRMT-FBLT	Frame Flush Bolt Template Used to make accurate flush bolt cut- outs on a frame
	HT412	Hinge Template 4 1/2" Create a quick and precise 4 1/2" hinge cut-out on a frame using this template
	GS-22	Glass Stop Holes drilled at 7" centers Dimensions: 3/8" x 3/8" x 10" Packed with TEK screws
	SCC-19	Steel Capping Channel Dimensions: 1 3/4" W x 1 3/8" H x 36" L Thickness: 18 Ga.
	DREXT-18	Door Extender Dimensions: 1 3/4" W x 1 3/8" H x 36" L Thickness: 16 Ga.

# DKS ACCESSORIES

ILLUSTRATION	ITEM #	DESCRIPTION
	<b>SB36</b> <b>SB48</b> <b>SB72</b>	Spreader Bar Thickness: 16 Ga.  Dimensions: ¾" W x ¾" H x 36" L Dimensions: ¾" W x ¾" H x 48" L Dimensions: ¾" W x ¾" H x 72" L
	<b>DSM21</b>	Door Silencer Dimensions: ½" Dia. x 1 <sup>11</sup> / <sub>16</sub> " Length Use: For Metal Frames
	<b>CR44640</b>	Door Frame Drip Cap Length: 40" Thickness: 18 Ga. Finish: Mill Aluminum Finish
	<b>DDS-21</b>	Dutch Door Shelf
	<b>OBSTRK-LH</b> <b>(left hand)</b>  <b>OBSTRK-RH</b> <b>(right hand)</b>	Handed Open Back Strike Finish: US32D
	<b>SPCAN-82</b>	Prime Coat Spray Can