

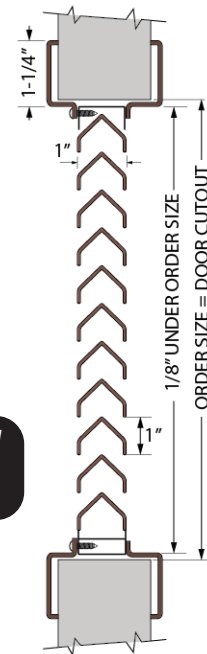
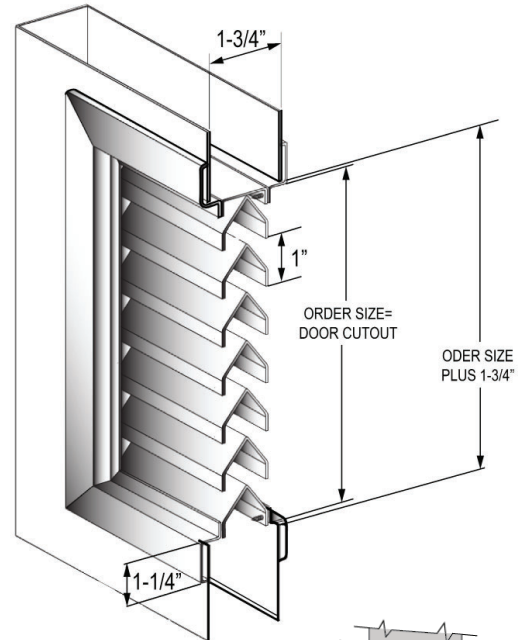


# VLV, INVERTED Y-BLADE LOUVERS

## 90 Minute Fire-Rated Steel Louvers

**IN STOCK  
FOR IMMEDIATE SHIPPING**

- ▶ For use in Fire Rated Door Applications under Positive and Neutral Pressure Intertek Testing Certification in Compliance to NFPA 252 (2000), UL 10C (2009), NFPA 252 (2012), CSI Code 089000 Louvers & Vents
- ▶ 18 Gauge Cold Rolled Steel Frame and Blades
- ▶ Mitered Welded Corner Frame Construction
- ▶ Reverse “Y” Blades are Framed Supported at 1” Increments with Blocked Vision Design
- ▶ Single Side Mounting for Non Corridor Exposure with Fastening Screw Included
- ▶ Designed for use with 1 3/4” Doors Only
- ▶ Baked on Powder Coat Finish.
- ▶ Color: **Standard Bronze and Prime Coat (in selected sizes only)**
- ▶ Fasteners: Phillips Head Screws # 8 x 3/4”
- ▶ Free Flow Area: 50% free area



**Intertek**

**\*NOW AVAILABLE IN  
PRIME COAT FINISH  
(IN SELECTED SIZES ONLY)**

ITEM #	SIZES (DOOR CUTOUT) width x height	PCS / CTN
*VLV1212	12" x 12"	1
VLV1218	12" x 18"	1
*VLV1224	12" x 24"	1
*VLV1812	18" x 12"	1
*VLV1818	18" x 18"	1
VLV1824	18" x 24"	1
VLV1860	18" x 60"	1
VLV1864	18" x 64"	1
VLV2010	20" x 10"	1
*VLV2412	24" x 12"	1
VLV2418	24" x 18"	1
*VLV2424	24" x 24"	1
VLV2460	24" x 60"	1
VLV2464	24" x 64"	1

**Shaded Items are Non-Fire Rated.**

\*Available in Prime Coat finish. Suffix “-PR” after part number when ordering.  
Example: To order VLV1212 in Prime Coat finish, use **VLV1212-PR**.

See Lites & Louvers Intertek Certification for detailed information on Fire Ratings.  
Or visit: <http://www.cal-royal.com/pdf/litescertification.pdf>

**VLV Series - Unframed Standard**  
 Framed Aluminum Insect (prefixFA)  
 Ex. FAVLV1212  
 Unframed Aluminum Insect (prefixUA)  
 Ex. UAVLV1212