



STEEL DOOR & FRAME SYSTEMS, INC.

Adjustable Fusible Link Louvers 90 Minute Fire Rated FLLV Series



Adjustable Fusible Link Louvers are recommended for use in rooms where ventilation is needed and at the same time isolating the room whenever fire is present. When louver is exposed to heat at 165°F, the fusible link trips and the spring loaded louver blades shut to form an air tight fire and smoke seal.

WHI Listing Mark is stamped on the frame of the louvers with a 60-90 Minutes Fire Rating. Installation is easy. No need to drill holes for fasteners. All screws are mounted on the room side leaving the corridor side free of fasteners for security purposes.

Fuses are replaceable.

Standard Features:

Material: 16 Gauge CRS Frame & Louver Blades

Door: for 1-3/4" Doors only

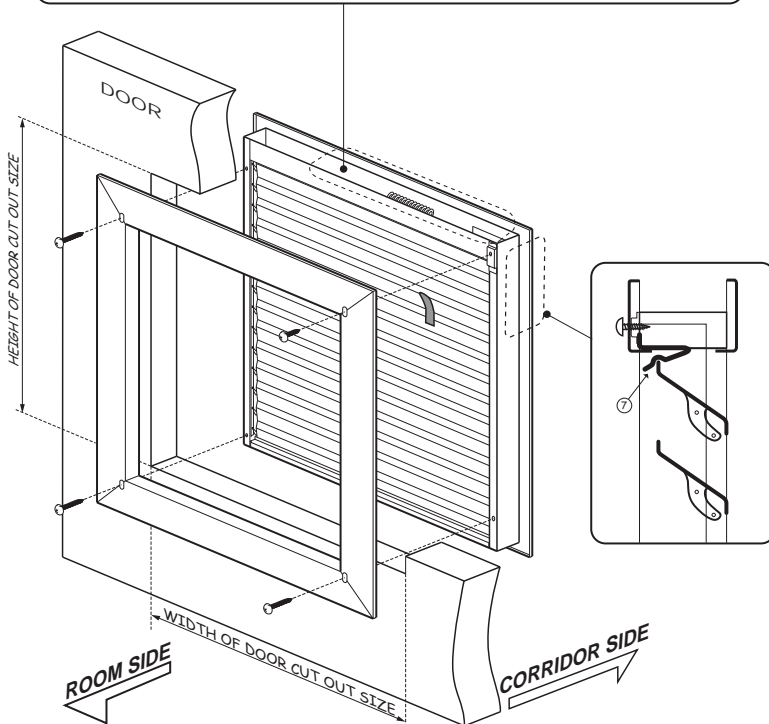
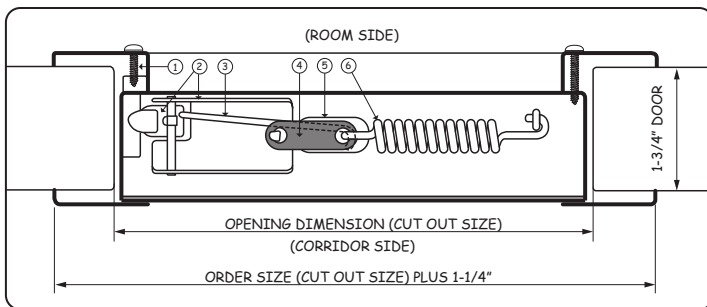
Fasteners: 3 x 3/4" LG & 1 x 1/2" LG

Finish: Standard Bronze

Free Flow Area: 45% free

Construction:

- Welded & mitered corners
- Adjustable blades of 16-gauge CRS
- Cadmium plated steel rivets
- Cadmium plated steel tension spring
- 1-9/16" deep louver assembly



- ① Mounting Screws - #8 phillips head
(3 x 3/4" LG & 1 x 1/2" LG)
- ② Rocker Arm, Closing Bar and housing
- ③ "S" Hook - .080" Cadmium plated steel
- ④ Fusible link - Design temperature 165° F max
- ⑤ Heat opening - 1/2" x 1"
- ⑥ Tension spring - 3" LG x 1/2" dia x .063" thick Cadmium plated steel.
- ⑦ Flat Spring Clip